

ST32 (A834)

## ST32 (A834)

### PARTS CATALOG

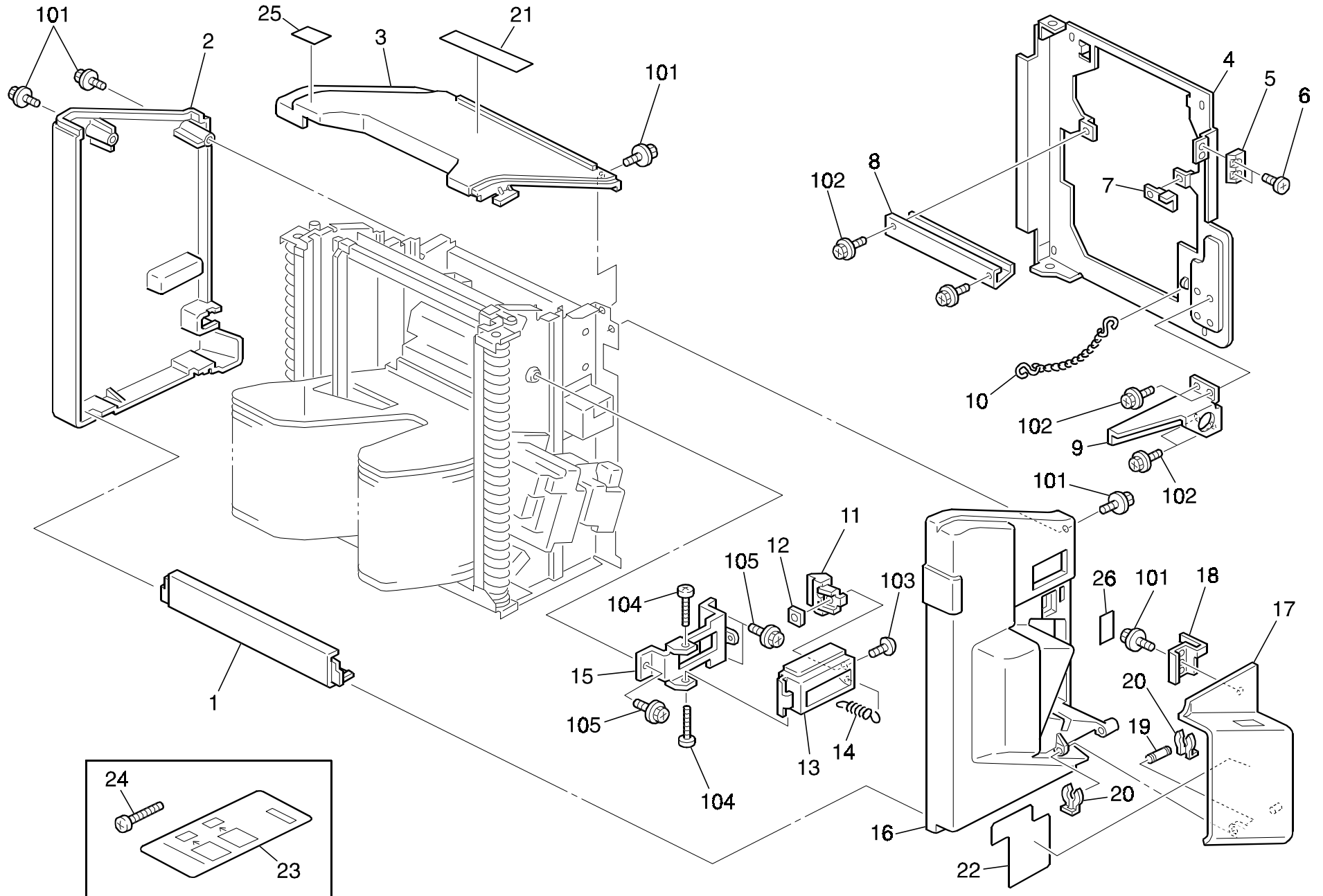
This catalog gives the numbers and names of parts on this machine.

### CONTENTS

1.EXTERIOR (A834).....	2
2.STAPLER UNIT (A834) .....	4
3.TRANSPORT SECTION (A834).....	6
4.BIN DRIVE SECTION (A834).....	8
5.FRAME SECTION (A834) .....	10
6.MAIN CONTROL BOARD (A834) .....	12
7.DECAL AND DOCUMENT (A834) .....	16
<b>PARTS INDEX.....</b>	<b>19</b>

September ,10 ' 2000

# 1.EXTERIOR (A834)

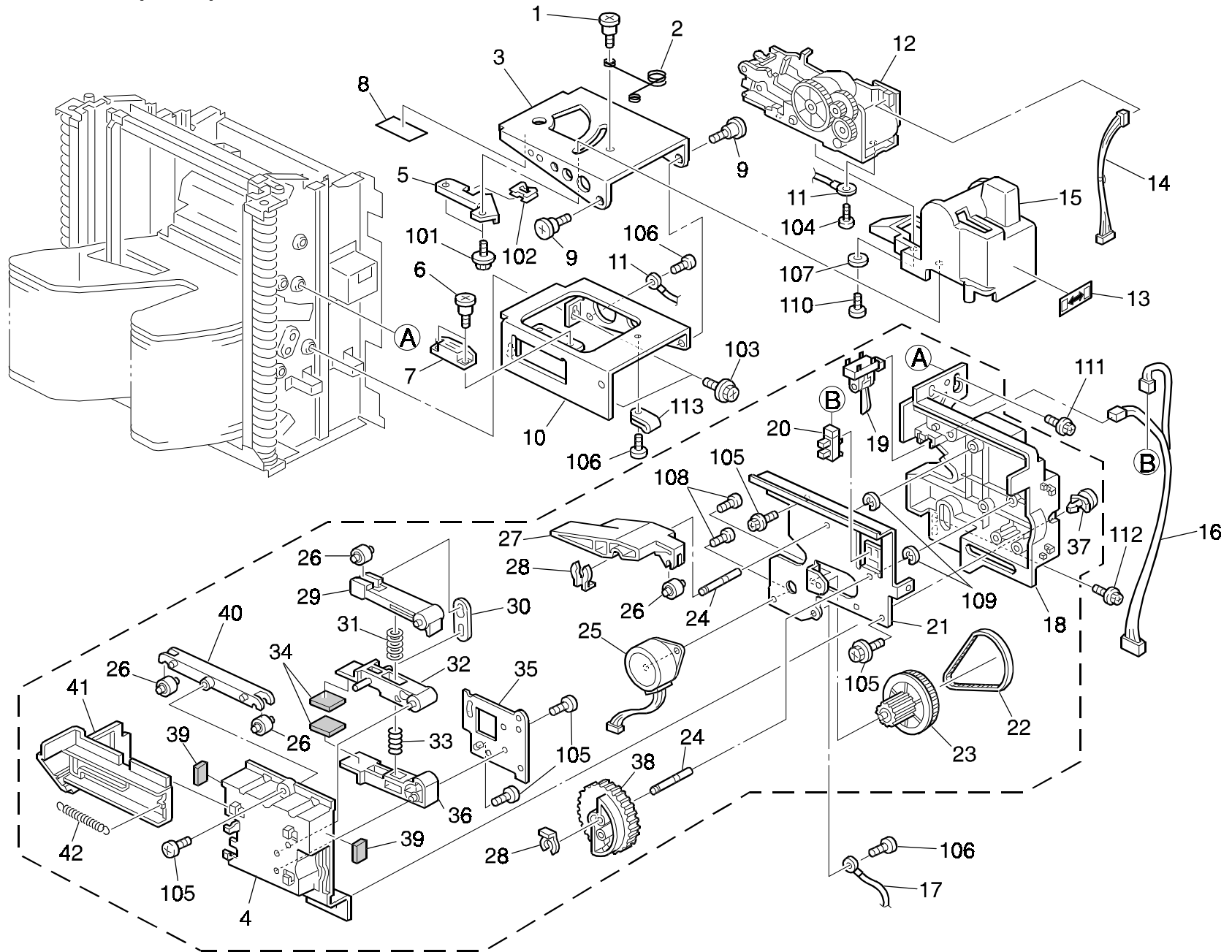


## 1.EXTERIOR (A834)

Index No.	Part No.	Description	Q'ty Per Assembly
1	A658 1541	Lower Cover	1
2	A658 1551	Rear Cover	1
3	A658 1511	Upper Cover	1
4	A834 1141	Coupling Frame	1
5	A555 1231	Gate Pawl Bracket	1
6	AA14 3396	Screw - M4X4	2
7	A658 1146	Safety Switch Lever	1
8	A834 2116	Entrance Guide Plate	1
9	A658 1142	Release Guide Plate	1
10	A555 6111	Door Stopper	1
11	A555 1566	Release Handle Pawl	1
12	A555 4156	Plate Nut - M4	1
13	A555 1552	Grip	1
14	AA06 0601	Release Spring	1
15	A658 1161	Bracket Knob	1
16	A658 1521	Front Cover	1
17	A658 1531	Stapler Door	1
18	A658 1168	Magnetic Catch	1
19	A658 1591	Door Shaft	1
20	5447 2681	Snap Ring	2
21	A658 1820	Decal - Misfeed Removal	1
22	A658 1830	Decal - Staple	1
23	A834 1850	Decal - Staple Position	1
24	AA14 3755	Flat Screw	6
25	A664 1875	Decal - Bin Caution	1
26	A658 1169	Magnetic Catch Mylar	1

Index No.	Part No.	Description	Q'ty Per Assembly
101	0802 5255	Tapping Screw - M3x8	
102	0451 3006B	Tapping Screw - M3x6	
103	0344 0060F	Philips Truss Head Screw - M4x6	
104	0314 0200B	Philips Pan Head Screw - M4x20	
105	0802 5276	Tapping Screw With Waser - M3x6	

## 2.STAPLER UNIT (A834)

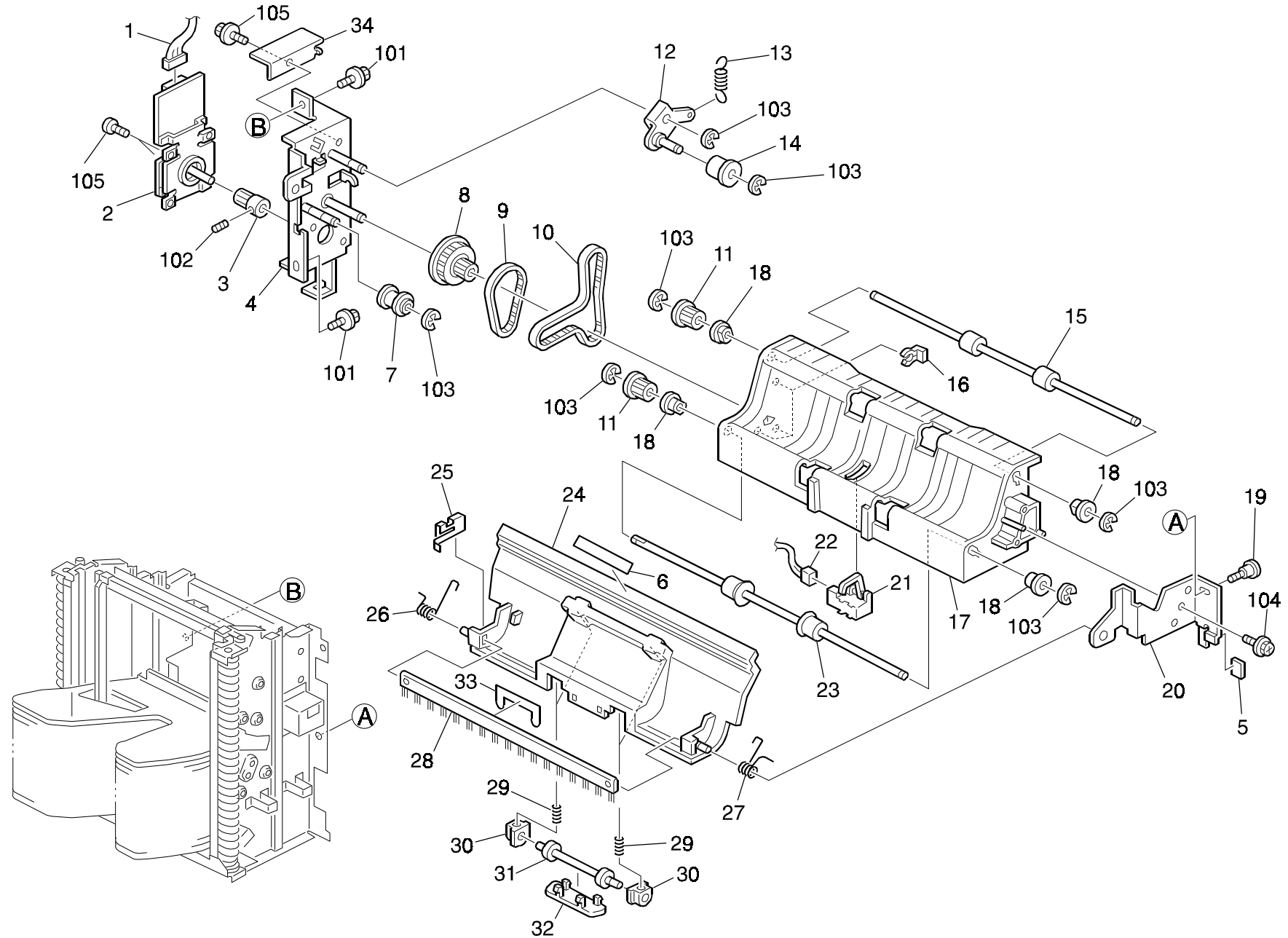


## 2.STAPLER UNIT (A834)

Index No.	Part No.	Description	Q'ty Per Assembly
1	5403 6246	Stepped Screw - Cleaning	1
2	AA06 6567	Spring	1
3	A658 4181	Stapler Drive Bracket	1
4	A555 4411	Chuck Move Plate	1
5	A658 4182	Staple Fixing Plate	1
6	AA14 0140	Screw - M3X4.5	2
7	AG07 0004	Magnetic Catch	1
8	A658 4192	Magnet Catch Plate	1
9	5442 1659	Stepped Screw - M4	2
10	A658 4171	Stapler Bracket	1
11	A658 5390	Grounding Wire	1
12	AJ01 1013	Stapler - EH157-R	1
13	A658 1850	Decal - Stapler Change	1
14	A658 5260	Stapler Harness	1
15	A834 4183	Stapler Inner Cover	1
16	A658 5320	Stapler Sensor Harness	1
17	A555 5410	Grounding Harness	1
18	A658 4141	Stapler Support Plate	1
19	AW02 0049	Photointerruptor - OS - 580213-703	1
20	AW02 0075	Photointerruptor	1
21	A555 4521	Chuck Motor Bracket	1
22	AA04 3226	Timing Belt - 180S2M	1
23	AB01 3919	Gear - 60Z	1
24	A555 4561	Chuck Movement Shaft	2
25	AX04 0056	Stepping Motor - DC9.5V 9.0W	1
26	A499 2444	Middle Belt Roller	4
27	A555 4532	Pressure Arm	1
28	5447 2681	Snap Ring	2
29	A555 4442	Middle Arm	1
30	A555 4426	Arm Link	1
31	AA06 3527	Pressure Spring	1
32	A555 4422	Upper Chuck Pawl	1
33	AA06 3528	Pressure Spring	1
34	A555 4423	Chuck Arm Pad	2
35	A555 4416	Chuck Move Bracket	1

Index No.	Part No.	Description	Q'ty Per Assembly
36	A555 4432	Lower Chuck	1
37	A555 4476	Chuck Unit Fixer	1
38	A658 4121	Stapler Cam	1
39	A555 4461	Chuck Movement Pad	2
40	A555 4456	Roller Holder	1
41	A555 4451	Chuck Side Fence	1
42	A300 3759	Spring	1
101	0450 3008B	Tapping Screw - M3x8	
102	1105 0329	Clamp - ES-0510	
103	0451 3006B	Tapping Screw - M3x6	
104	0314 0060B	Philips Pan Head Screw - M4x6	
105	0452 4012B	Philips Tapping Screw - M4x12	
106	0950 4006B	Screw - M4X6	
107	0708 0040B	Washer - M4	
108	0313 0050B	Philips Pan Head Screw - M3x5	
109	0720 0040E	Retaining Ring - M4	
110	0951 4008B	Philips Screw With Washer - M4x8	
111	0951 3006B	Philips Screw With Flat Washer - M3x6	
112	0314 0040B	Philips Pan Head Screw - M4x4	
113	1105 0008	Nylon Clamp - 2n	

### 3. TRANSPORT SECTION (A834)



### 3. TRANSPORT SECTION (A834)

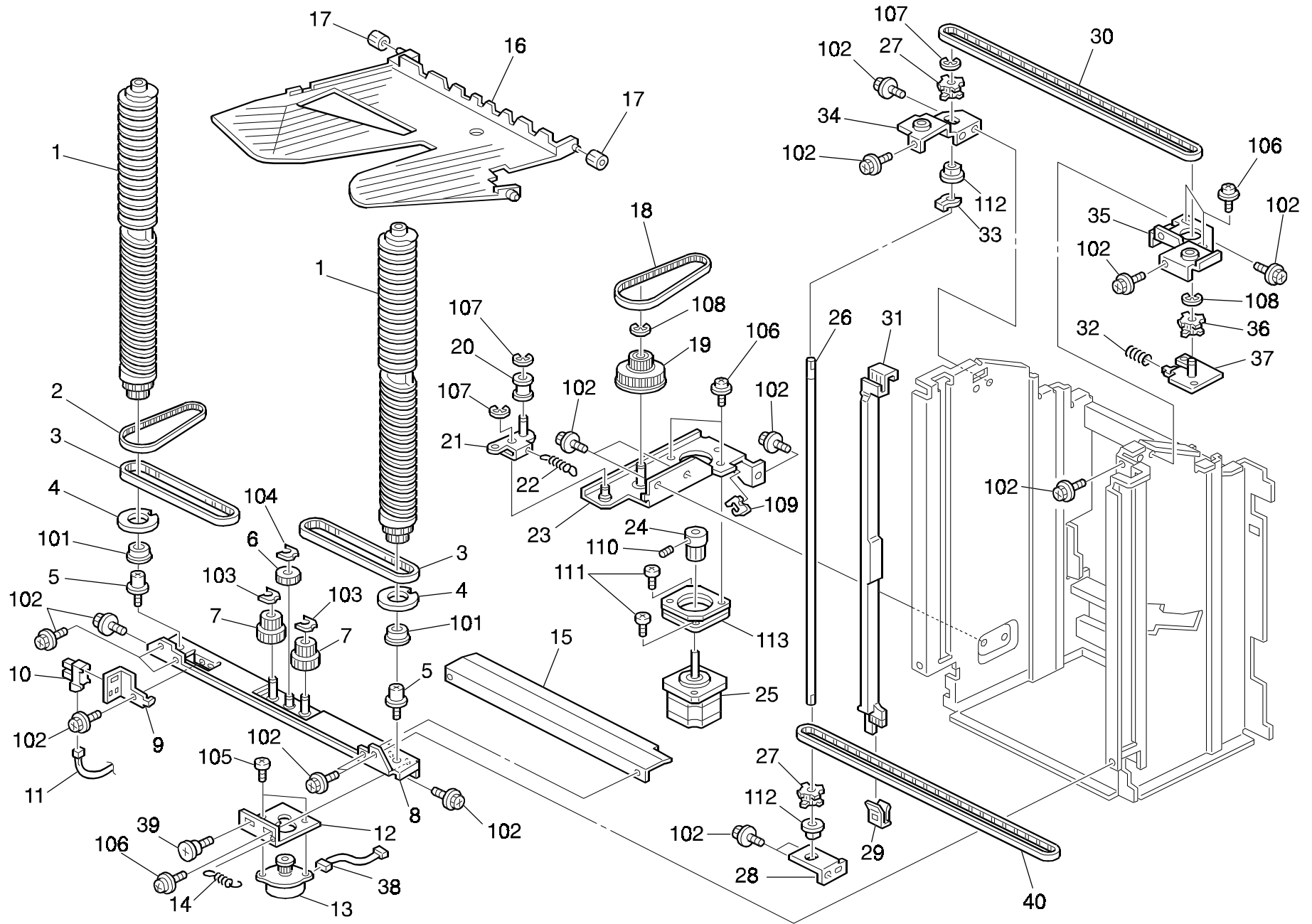
Index No.	Part No.	Description	Q'ty Per Assembly
1	A834 5360	Transport Motor Harness	1
2	AX05 0133	Brushless Motor - DC 24V 6W	1
3	AB03 0601	Timing Pulley - 16Z	1
4	A834 2131	Side Plate	1
5	A834 2129	Cover Cushion	1
6	A658 1840	Decal - Release Guide	1
7	A548 2139	Pulley	1
8	A555 2156	Timing Pulley - 60Z/18Z	1
9	AA04 3498	Timing Belt - 172P2M4	1
10	AA04 3499	Timing Belt - B40S2M320	1
11	AB03 0496	Timing Pulley - 18Z	2
12	A834 2126	Tightener Bracket	1
13	AA06 0772	Transport Tension Spring	1
14	A661 1894	Tightener Roller	1
15	A658 2141	Transport Roller	1
16	5447 2681	Snap Ring	3
17	A834 2111	Lower Guide Plate	1
18	5053 0447	Bushing - 6mm	4
19	5446 3648	Stepped Screw - M4	1
20	A834 2124	Front Bracket	1
21	AW02 0092	Photointerruptor	1
22	A658 5330	Paper Exit Harness	1
23	A658 2142	Exit Roller	1
24	A658 2121	Upper Entrance Guide	1
25	A658 2147	Grounding Plate	1
26	AA06 6566	Spring	1
27	AA06 6565	Spring	1
28	A555 2161	Antistatic Brush	1
29	AA06 3553	Pressure Spring	2
30	AA08 0225	Bushing - M6	2
31	AF02 2096	Driven Roller	1
32	A658 2125	Driven Roller Cover	1
33	A834 2145	Film - Exit Antistatic Brush	1
34	A834 2136	Board Cover	1

Index No.	Part No.	Description	Q'ty Per Assembly
101	0451 3006B	Tapping Screw - M3x6	
102	0574 0040E	Hexagon Headless Set Screw - M4x4	
103	0720 0040E	Retaining Ring - M4	
104	0450 3008B	Tapping Screw - M3x8	
105	0314 0060B	Philips Pan Head Screw - M4x6	





# 4.BIN DRIVE SECTION (A834)

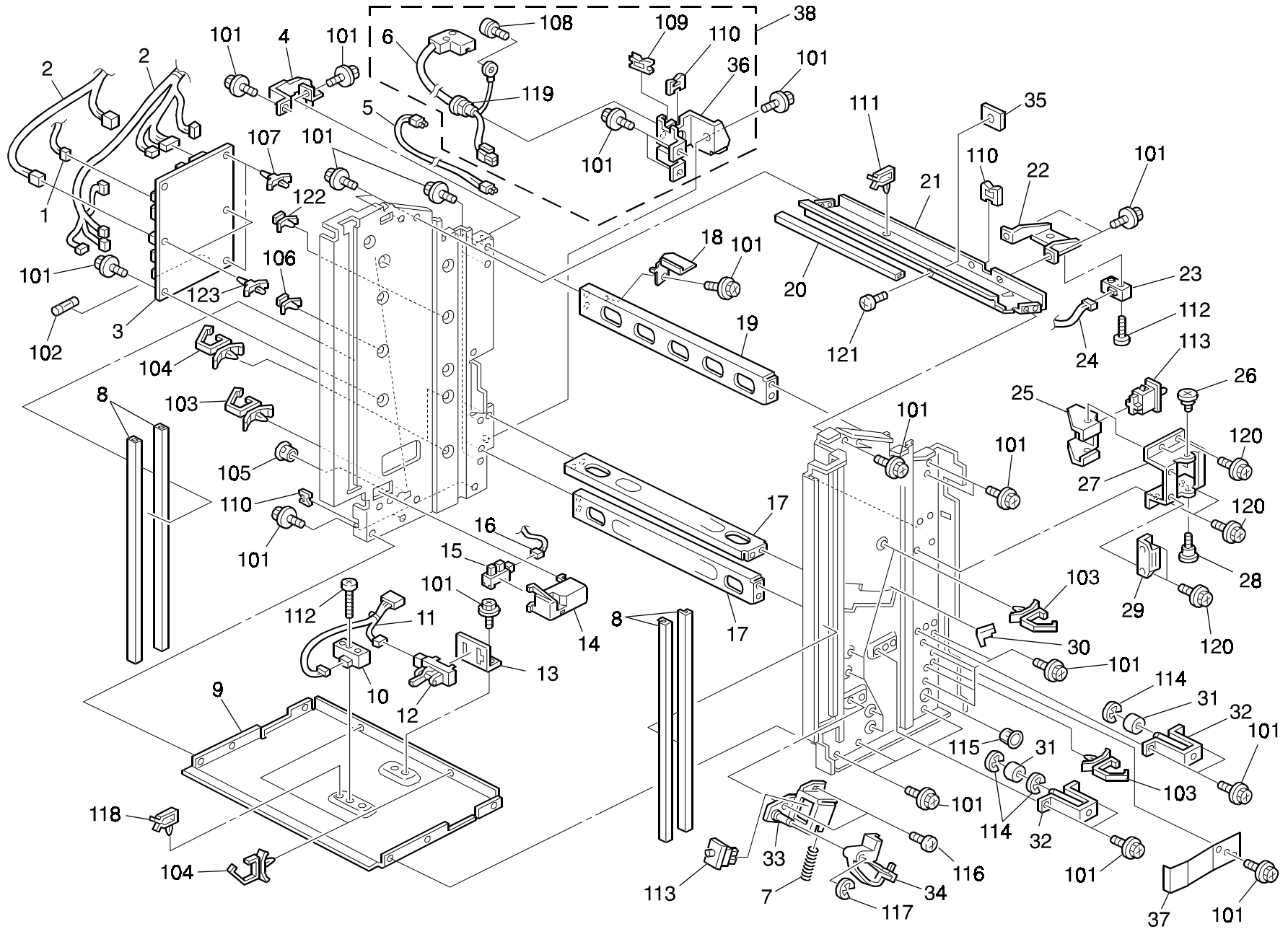


#### 4.BIN DRIVE SECTION (A834)

Index No.	Part No.	Description	Q'ty Per Assembly
1	A658 3121	Cam Shaft	2
2	AA04 3464	Timing Belt - B80S3M264	1
3	AA04 3466	Timing Belt - B80S5M475	2
4	A658 3124	Shading Plate	2
5	A377 1116	Stud Screw - M6	2
6	A658 3144	Gear - 18Z	1
7	A658 3145	Gear - 26Z	2
8	A658 1131	Base Ass'y	1
9	A658 3125	H.P. Sensor Bracket	1
10	AW02 0075	Photointerruptor	1
11	A658 5310	Jogger Sensor Harness	1
12	A834 4115	Jogger Motor Bracket	1
13	AX04 0112	Stepper Motor - DC 24V	1
14	AA06 0773	Jogger Tension Spring	1
15	A658 1581	Timing Belt Cover	1
16	A834 3111	Bin	20
17	A377 3447	Small Guide Roller	40
18	AA04 3465	Timing Belt - 214P2M8	1
19	A555 3159	Timing Pulley	1
20	A548 2139	Pulley	1
21	A658 3136	Tightner Bracket	1
22	AA06 0671	Tension Spring	1
23	A658 3131	Motor Bracket	1
24	AB03 0547	Timing Pulley - T30 S2M	1
25	AX05 0110	Stepping Motor - 2.4V 7.2W	1
26	A834 4118	Jogger Drive Shaft	1
27	AB03 0389	Timing Pulley - Jogger - Drive	2
28	A834 4117	Lower Shaft Bracket	1
29	A354 4475	Timing Belt Stopper - Side Fence	1
30	AA04 3403	Timing Belt - B40S3M858	1
31	A834 4109	Jogger Ass'y	1
32	AA06 3554	Pressure Spring	1
33	5447 2681	Snap Ring	1
34	A658 3123	Front Lower Bracket	1
35	A658 3122	Front Upper Bracket	1

Index No.	Part No.	Description	Q'ty Per Assembly
36	AB03 0388	Pulley - 16Z	1
37	A555 4141	Jogger Tension Bracket	1
38	A834 5290	Jogger Harness	1
39	AA14 3062	Shoulder Screw - M4	1
40	AA04 3500	Timing Belt - B40S3M852	1
101	0741 3006	Ball Bearing - 6x17x6mm	
102	0451 3006B	Tapping Screw - M3x6	
103	0805 0088	Retaining Ring - M6	
104	0805 0089	Retaining Ring - M4	
105	0313 0050B	Philips Pan Head Screw - M3x5	
106	0951 4006B	Philips Screw With Washer - M4x6	
107	0720 0040E	Retaining Ring - M4	
108	0720 0060E	Retaining Ring - M6	
109	1105 0349	Edge Saddle	
110	0574 0050E	Hexagon Headless Set Screw - M4x5	
111	0314 0080B	Philips Pan Head Screw - M4x8	
112	0805 3383	Bushing - M5	
113	1005 0946	Stepping Motor Cushion	

# 5.FRAME SECTION (A834)



## 5.FRAME SECTION (A834)

Index No.	Part No.	Description	Q'ty Per Assembly
1	A658 5350	Relay Harness - BIN SENSOR	1
2	A658 5280	Main Harness	1
3	A834 5100	Main Control Board	1
4	A658 1151	Upper Joint Bracket	1
5	AW03 0071	Optical Fiber	1
6	A658 5270	Interface Harness	1
7	AA06 3530	Pressure Spring	1
8	A658 1171	Bin Guide	4
9	A658 1126	Lower Stay	1
10	AW02 0087	Photosensor - LNB4301	1
11	A658 5380	Relay Harness - Bin Sensor	1
12	AW02 0049	Photointerruptor - OS - 580213-703	1
13	A658 3141	Bin H.P. Sensor Bracket	1
14	A658 4116	Jogger Lower Guide	1
15	AW02 0075	Photointerruptor	1
16	A658 5370	Relay Harness - Jogger Sensor	1
17	A658 1136	Stay	2
18	A658 1183	Stopper Cover	1
19	A658 1135	Upper Right Stay	1
20	A658 1172	Upper Jogger Guide	1
21	A658 1137	Upper Stay	1
22	A658 1138	Upper Sensor Bracket	1
23	AW02 0088	Photosensor - PNB4301	1
24	A658 5340	Bin Sensor Harness	1
25	A658 1167	Switch Lever	1
26	AA14 3358	Stepped Screw - M4x3	1
27	A658 1166	Switch Bracket	1
28	5403 6246	Stepped Screw - Cleaning	1
29	AG07 0004	Magnetic Catch	1
30	A658 4191	Stapler Entrancce Guide	1
31	A555 1221	Roller Bracket	3
32	A658 1143	Release Guide Bracket	3
33	A555 3183	Switch Bracket	1
34	A555 3182	Stapler Actuator Switch	1
35	A555 4156	Plate Nut - M4	1

Index No.	Part No.	Description	Q'ty Per Assembly
36	A658 1156	Lower Joint Bracket	1
37	A658 1116	Grounding Plate	1
38	A658 5250	Interface Harness Ass'y	1
101	0451 3006B	Tapping Screw - M3x6	
102	1107 0883	Fuse - 3.15A 250V	
103	1105 0291	Harness Clamp - LWS-3S	
104	1105 0292	Wire Saddle	
105	1106 0193	Bushing - 7.9mm	
106	1105 0417	Spacer - KGPS-12S	
107	1105 0148	Clamp	
108	0950 4006B	Screw - M4X6	
109	1105 0322	Cord Bushing	
110	1105 0328	Harness Clamp - ES-0505	
111	1105 0200	Clamp	
112	0313 0140B	Philips Pan Head Screw - M3x14	
113	1204 2384	Interlock Switch	
114	0720 0060E	Retaining Ring - M6	
115	1106 0459	Bushing - 20.2mm	
116	0314 0060B	Philips Pan Head Screw - M4x6	
117	0720 0040E	Retaining Ring - M4	
118	1105 0267	Harness Clamp - YMC-10-0	
119	1106 0289	Bushing - SR-5N-1	
120	0802 5276	Tapping Screw With Waser - M3x6	
121	0344 0060F	Philips Truss Head Screw - M4x6	
122	1105 0475	Spacer - KGPS-10S	
123	1105 0195	PCB Stud	

## 6.MAIN CONTROL BOARD (A834)

### CAPACITOR

SYMBOL NO.	INDEX NO.
C100	160
C101	160
C102	160
C103	160
C104	160
C105	160
C106	160
C107	160
C108	160
C109	159

SYMBOL NO.	INDEX NO.
C110	159
C111	159
C112	159
C113	159
C114	159
C115	159
C116	160
C117	160
C118	160
C119	160

SYMBOL NO.	INDEX NO.
C120	160
C121	160
C122	160
---	---
---	---
C125	157
C126	160
C127	158
C128	157
C129	160

SYMBOL NO.	INDEX NO.
C130	135
C131	160
C132	160
C133	157
C134	160
C135	160
C136	160
C137	160
C138	160
C139	157

SYMBOL NO.	INDEX NO.
C140	159
C141	157
C142	160
C143	160
C144	158
C145	158

### CONNECTOR

SYMBOL NO.	INDEX NO.
CN100	113
CN110	114
CN120	105
CN130	111
CN140	106
CN150	109
CN160	112
CN165	107
CN170	110
CN180	103

SYMBOL NO.	INDEX NO.
CN190	104
CN195	108

### DIODE

SYMBOL NO.	INDEX NO.
D101	120
D102	120
D103	122
D104	122
D105	122
D106	122

### FUSE

SYMBOL NO.	INDEX NO.
FU100	117
(Holder)	115

### IC

SYMBOL NO.	INDEX NO.
IC100	129
IC101	130
IC102	1
(Socket)	116
IC103	131
IC104	127
IC105	128
IC106	126
IC107	125
IC110	132

SYMBOL NO.	INDEX NO.
IC111	133
IC112	133

### JP

SYMBOL NO.	INDEX NO.
JP100	101
JP101	155
JP102	155
JP103	155
JP104	155
JP105	155
JP106	101
JP107	101
JP108	101
JP109	155

SYMBOL NO.	INDEX NO.
JP110	101
JP111	101
JP112	101
JP113	101
JP114	155
JP115	156
JP116	101
---	---
JP118	101
JP119	155

SYMBOL NO.	INDEX NO.
JP120	101
JP121	155
---	---
JP123	101
---	---
JP125	155
JP126	101
JP127	155
JP128	155
JP129	155

## 6.MAIN CONTROL BOARD (A834)

JP

SYMBOL NO.	INDEX NO.
JP130	101
JP131	155
JP132	155
JP133	101
JP134	101
JP135	101
JP136	101
JP137	101
JP138	101
JP139	101

SYMBOL NO.	INDEX NO.
JP140	155
JP141	101
JP142	101
JP143	101
JP144	101
JP145	101
JP146	101
JP147	101
JP148	155
JP149	101

SYMBOL NO.	INDEX NO.
JP150	101
JP151	101
JP152	155
JP153	101
JP154	101
JP155	101
JP156	101
JP157	155
JP158	101
JP159	156

SYMBOL NO.	INDEX NO.
JP160	156
JP161	156
JP162	101
JP163	101
----	---
----	---
JP166	101
JP167	101
JP168	101
JP169	101

SYMBOL NO.	INDEX NO.
JP170	101
----	---
JP172	155
JP173	101
JP174	101
JP175	101
JP176	101
----	---
JP178	101
JP179	155

SYMBOL NO.	INDEX NO.
JP180	156
JP181	155
JP182	156
JP183	101
----	---
JP185	101
JP186	101
----	---
JP188	101
----	---

SYMBOL NO.	INDEX NO.
---	---
JP191	155
JP192	101
JP193	101
JP194	101
JP195	101
---	---
JP197	101
JP198	101
JP199	101

JP

SYMBOL NO.	INDEX NO.
JP200	101
JP201	101
JP202	101
JP203	101
JP204	101
JP205	101
JP206	156
JP207	156
JP208	155
JP209	155

SYMBOL NO.	INDEX NO.
JP210	156
JP211	156
----	---
JP214	155

OSC

SYMBOL NO.	INDEX NO.
OSC100	134

PC

SYMBOL NO.	INDEX NO.
PC100	124

RESISTOR

SYMBOL NO.	INDEX NO.
R100	152
R101	152
R102	148
R103	148
R104	148
R105	148
R106	152
R107	152
R108	152
R109	145

SYMBOL NO.	INDEX NO.
R110	145
R111	145
R112	145
R113	152
R114	152
R115	152
R116	152
R117	150
R118	152
R119	136

SYMBOL NO.	INDEX NO.
R120	151
R121	152
R122	152
R123	139
R124	152
R125	152
R126	152
R127	152
R128	139
R129	152

Q

SYMBOL NO.	INDEX NO.
Q100	119
Q101	118
Q102	118

## 6.MAIN CONTROL BOARD (A834)

### RESISTOR

SYMBOL NO.	INDEX NO.
R130	141
R131	144
R132	152
R133	147
R134	139
R135	152
R136	152
R137	139
R138	152
R139	152

SYMBOL NO.	INDEX NO.
R140	152
R141	152
R142	152
R143	152
R144	142
R145	137
R146	152
R147	152
R148	152
R149	152

SYMBOL NO.	INDEX NO.
R150	152
R151	139
R152	139
R153	139
R154	139
R155	152
R156	152
R157	152
R158	152
R159	152

SYMBOL NO.	INDEX NO.
R160	152
R161	143
R162	152
R163	139
---	---
R165	148
R166	145
R167	143
R168	152
R169	139

SYMBOL NO.	INDEX NO.
R170	139
R171	143
R173	139
R174	143
R176	143
R177	138
R178	138
R181	154
R182	140
R183	153

SYMBOL NO.	INDEX NO.
R190	149
R191	154
R192	145
R193	148
R194	152
R195	156
R196	156
R197	156
R198	156
R199	156

SYMBOL NO.	INDEX NO.
R200	156
R201	156
R202	156
R203	156
R204	156
R205	156
R206	156
R207	156
R208	156
R209	156

### RESISTOR

SYMBOL NO.	INDEX NO.
R210	156
R211	156
R212	156
R213	156
R214	156
R215	156
R216	156
R217	156
R218	156
R219	146

SYMBOL NO.	INDEX NO.
R220	156
R221	138
R222	138

### TEST POINT

SYMBOL NO.	INDEX NO.
TP100	102
TP101	102
TP102	102

### ZD

SYMBOL NO.	INDEX NO.
ZD100	123
ZD101	121

## 6.MAIN CONTROL BOARD (A834)

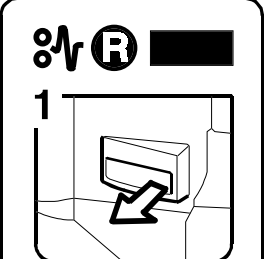
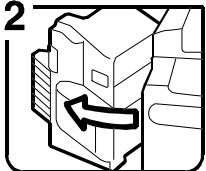
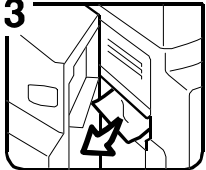
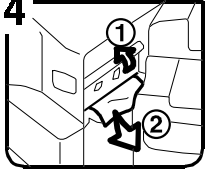
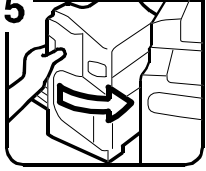
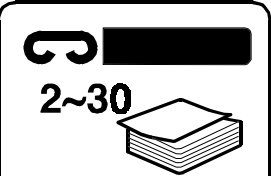
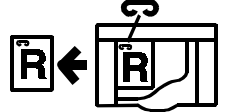
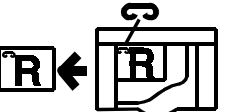
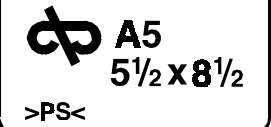
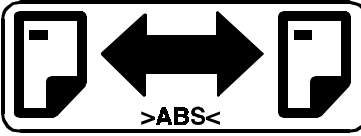


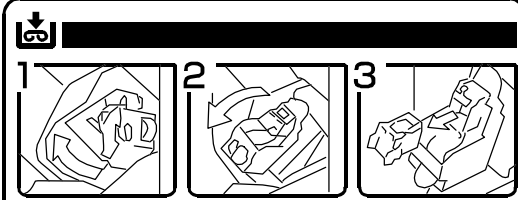
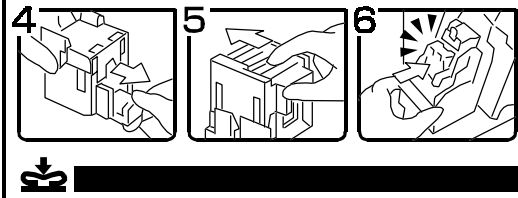

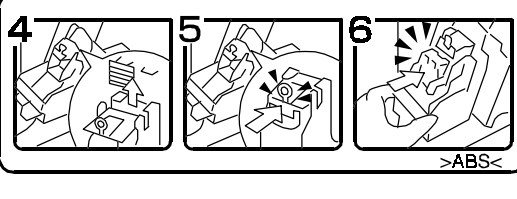
Index No.	Part No.	Description	Q'ty Per Assembly
*	A834 5100	Main Control Board	

Index No.	Part No.	Description	Q'ty Per Assembly
101	1002 0307	Jumper Wire	
102	1101 0328	Connector Pin Contact	
103	1102 4202	Connector - 3P	
104	1102 4203	CT Header - 4P	
105	1102 4205	CT Header- 6p	
106	1102 4206	Connector - 7P	
107	1102 4207	Connector - 8P	
108	1102 4208	Connector - 9P	
109	1102 4211	CT Header - 12P	
110	1102 4497	Connector - 13P	
111	1102 4624	CT Connector - 7p	
112	1102 5301	Connector - 2P	
113	1102 5304	Connector - 5P	
114	1102 5718	Optical Fiber Connector	
115	1104 0333	Fuse Holder	
116	1104 0588	Dip Socket - 28p	
117	1107 0883	Fuse - 3.15A 250V	
118	1400 0398	Transistor - 2SC2412K	
119	1400 0748	Transistor - FMG1A	
120	1401 0821	Diode - 1SS133	
121	1402 0557	Diode - HZ24PB	
122	1402 1236	Diode - ERA83-006	
123	1402 1388	Diode - UDZ8.2B	
124	1403 0519	Photocoupler - TLP621	
125	1407 1535	IC - TD62308AP	
126	1407 2028	IC - TTL - SN74LS06N	
127	1407 3086	IC - Cmos - TC74HC04AP	
128	1407 3093	IC - Cmos - TC74HC02AP	
129	1407 4753	IC - HD6433292L01P	
130	1408 0494	IC - MB3371P	
131	1408 1200	IC - STK681-050	
132	1408 1287	IC - SI-8501L	
133	1408 1394	IC - STK672-110	
134	1503 0489	Oscillator - CST8.00MTW	
135	1604 4645	Capacitor - 330 $\mu$ F $\pm$ 20% 16V	





# 7.DECAL AND DOCUMENT (A834)

<p>1</p>      <p>&gt;ABS&lt;</p>	<p>2</p>    <hr/>  <p>&gt;PS&lt;</p>	<p>4</p> 
<p>3</p>   <p>&gt;PS&lt;</p>	<p>5</p>     <p>&gt;ABS&lt;</p>	

## 7.DECAL AND DOCUMENT (A834)

Index No.	Part No.	Description	Q'ty Per Assembly
1	A658 1820	Decal - Misfeed Removal	1
2	A834 1850	Decal - Staple Position	1
3	A664 1875	Decal - Bin Caution	1
4	A658 1850	Decal - Stapler Change	1
5	A658 1830	Decal - Staple	1

Index No.	Part No.	Description	Q'ty Per Assembly

# Parts Index

## Parts Index

Part No.	Description	Page and Index No.
A834 1141	Coupling Frame	3- 4
A834 1850	Decal - Staple Position	3- 23
A834 1850	Decal - Staple Position	17- 2
A834 2111	Lower Guide Plate	7- 17
A834 2116	Entrance Guide Plate	3- 8
A834 2124	Front Bracket	7- 20
A834 2126	Tightener Bracket	7- 12
A834 2129	Cover Cushion	7- 5
A834 2131	Side Plate	7- 4
A834 2136	Board Cover	7- 34
A834 2145	Film - Exit Antistatic Brush	7- 33
A834 3111	Bin	9- 16
A834 4109	Jogger Ass'y	9- 31
A834 4115	Jogger Motor Bracket	9- 12
A834 4117	Lower Shaft Bracket	9- 28
A834 4118	Jogger Drive Shaft	9- 26
A834 4183	Stapler Inner Cover	5- 15
A834 5100	Main Control Board	11- 3
A834 5100	Main Control Board	13- *
A834 5290	Jogger Harness	9- 38
A834 5360	Transport Motor Harness	7- 1

Part No.	Description	Page and Index No.
AA04 3226	Timing Belt - 180S2M	5- 22
AA04 3403	Timing Belt - B40S3M858	9- 30
AA04 3464	Timing Belt - B80S3M264	9- 2
AA04 3465	Timing Belt - 214P2M8	9- 18
AA04 3466	Timing Belt - B80S5M475	9- 3
AA04 3498	Timing Belt - 172P2M4	7- 9
AA04 3499	Timing Belt - B40S2M320	7- 10
AA04 3500	Timing Belt - B40S3M852	9- 40
AA06 0601	Release Spring	3- 14
AA06 0671	Tension Spring	9- 22
AA06 0772	Transport Tension Spring	7- 13
AA06 0773	Jogger Tension Spring	9- 14
AA06 3527	Pressure Spring	5- 31
AA06 3528	Pressure Spring	5- 33
AA06 3530	Pressure Spring	11- 7
AA06 3553	Pressure Spring	7- 29
AA06 3554	Pressure Spring	9- 32
AA06 6565	Spring	7- 27
AA06 6566	Spring	7- 26
AA06 6567	Spring	5- 2
AA08 0225	Bushing - M6	7- 30
AA14 0140	Screw - M3X4.5	5- 6
AA14 3062	Shoulder Screw - M4	9- 39
AA14 3358	Stepped Screw - M4x3	11- 26
AA14 3396	Screw - M4X4	3- 6
AA14 3755	Flat Screw	3- 24
AB01 3919	Gear - 60Z	5- 23
AB03 0388	Pulley - 16Z	9- 36
AB03 0389	Timing Pulley - Jogger - Drive	9- 27
AB03 0496	Timing Pulley - 18Z	7- 11
AB03 0547	Timing Pulley - T30 S2M	9- 24
AB03 0601	Timing Pulley - 16Z	7- 3
AF02 2096	Driven Roller	7- 31
AG07 0004	Magnetic Catch	5- 7
AG07 0004	Magnetic Catch	11- 29

Part No.	Description	Page and Index No.
AJ01 1013	Stapler - EH157-R	5- 12
AW02 0049	Photointerruptor - OS - 580213-703	5- 19
AW02 0049	Photointerruptor - OS - 580213-703	11- 12
AW02 0075	Photointerruptor	5- 20
AW02 0075	Photointerruptor	9- 10
AW02 0075	Photointerruptor	11- 15
AW02 0087	Photosensor - LNB4301	11- 10
AW02 0088	Photosensor - PNB4301	11- 23
AW02 0092	Photointerruptor	7- 21
AW03 0071	Optical Fiber	11- 5
AX04 0056	Stepping Motor - DC9.5V 9.0W	5- 25
AX04 0112	Stepper Motor - DC 24V	9- 13
AX05 0110	Stepping Motor - 2.4V 7.2W	9- 25
AX05 0133	Brushless Motor - DC 24V 6W	7- 2

Part No.	Description	Page and Index No.
A300 3759	Spring	5- 42
A354 4475	Timing Belt Stopper - Side Fence	9- 29
A377 1116	Stud Screw - M6	9- 5
A377 3447	Small Guide Roller	9- 17
A499 2444	Middle Belt Roller	5- 26
A548 2139	Pulley	7- 7
A548 2139	Pulley	9- 20
A555 1221	Roller Bracket	11- 31
A555 1231	Gate Pawl Bracket	3- 5
A555 1552	Grip	3- 13
A555 1566	Release Handle Pawl	3- 11
A555 2156	Timing Pulley - 60Z/18Z	7- 8
A555 2161	Antistatic Brush	7- 28
A555 3159	Timing Pulley	9- 19
A555 3182	Stapler Actuator Switch	11- 34
A555 3183	Switch Bracket	11- 33
A555 4141	Jogger Tension Bracket	9- 37
A555 4156	Plate Nut - M4	3- 12
A555 4156	Plate Nut - M4	11- 35
A555 4411	Chuck Move Plate	5- 4
A555 4416	Chuck Move Bracket	5- 35
A555 4422	Upper Chuck Pawl	5- 32
A555 4423	Chuck Arm Pad	5- 34
A555 4426	Arm Link	5- 30
A555 4432	Lower Chuck	5- 36
A555 4442	Middle Arm	5- 29
A555 4451	Chuck Side Fence	5- 41
A555 4456	Roller Holder	5- 40
A555 4461	Chuck Movement Pad	5- 39
A555 4476	Chuck Unit Fixer	5- 37
A555 4521	Chuck Motor Bracket	5- 21
A555 4532	Pressure Arm	5- 27
A555 4561	Chuck Movement Shaft	5- 24
A555 5410	Grounding Harness	5- 17
A555 6111	Door Stopper	3- 10

Part No.	Description	Page and Index No.
A658 1116	Grounding Plate	11- 37
A658 1126	Lower Stay	11- 9
A658 1131	Base Ass'y	9- 8
A658 1135	Upper Right Stay	11- 19
A658 1136	Stay	11- 17
A658 1137	Upper Stay	11- 21
A658 1138	Upper Sensor Bracket	11- 22
A658 1142	Release Guide Plate	3- 9
A658 1143	Release Guide Bracket	11- 32
A658 1146	Safety Switch Lever	3- 7
A658 1151	Upper Joint Bracket	11- 4
A658 1156	Lower Joint Bracket	11- 36
A658 1161	Bracket Knob	3- 15
A658 1166	Switch Bracket	11- 27
A658 1167	Switch Lever	11- 25
A658 1168	Magnetic Catch	3- 18
A658 1169	Magnetic Catch Mylar	3- 26
A658 1171	Bin Guide	11- 8
A658 1172	Upper Jogger Guide	11- 20
A658 1183	Stopper Cover	11- 18
A658 1511	Upper Cover	3- 3
A658 1521	Front Cover	3- 16
A658 1531	Stapler Door	3- 17
A658 1541	Lower Cover	3- 1
A658 1551	Rear Cover	3- 2
A658 1581	Timing Belt Cover	9- 15
A658 1591	Door Shaft	3- 19
A658 1820	Decal - Misfeed Removal	3- 21
A658 1820	Decal - Misfeed Removal	17- 1
A658 1830	Decal - Staple	17- 5
A658 1830	Decal - Staple	3- 22
A658 1840	Decal - Release Guide	7- 6
A658 1850	Decal - Stapler Change	17- 4
A658 1850	Decal - Stapler Change	5- 13
A658 2121	Upper Entrance Guide	7- 24

Part No.	Description	Page and Index No.
A658 2125	Driven Roller Cover	7- 32
A658 2141	Transport Roller	7- 15
A658 2142	Exit Roller	7- 23
A658 2147	Grounding Plate	7- 25
A658 3121	Cam Shaft	9- 1
A658 3122	Front Upper Bracket	9- 35
A658 3123	Front Lower Bracket	9- 34
A658 3124	Shading Plate	9- 4
A658 3125	H.P. Sensor Bracket	9- 9
A658 3131	Motor Bracket	9- 23
A658 3136	Tightner Bracket	9- 21
A658 3141	Bin H.P. Sensor Bracket	11- 13
A658 3144	Gear - 18Z	9- 6
A658 3145	Gear - 26Z	9- 7
A658 4116	Jogger Lower Guide	11- 14
A658 4121	Stapler Cam	5- 38
A658 4141	Stapler Support Plate	5- 18
A658 4171	Stapler Bracket	5- 10
A658 4181	Stapler Drive Bracket	5- 3
A658 4182	Staple Fixing Plate	5- 5
A658 4191	Stapler Entrancce Guide	11- 30
A658 4192	Magnet Catch Plate	5- 8
A658 5250	Interface Harness Ass'y	11- 38
A658 5260	Stapler Harness	5- 14
A658 5270	Interface Harness	11- 6
A658 5280	Main Harness	11- 2
A658 5310	Jogger Sensor Harness	9- 11
A658 5320	Stapler Sensor Harness	5- 16
A658 5330	Paper Exit Harness	7- 22
A658 5340	Bin Sensor Harness	11- 24
A658 5350	Relay Harness - BIN SENSOR	11- 1
A658 5370	Relay Harness - Jogger Sensor	11- 16
A658 5380	Relay Harness - Bin Sensor	11- 11
A658 5390	Grounding Wire	5- 11
A661 1894	Tightener Roller	7- 14

Part No.	Description	Page and Index No.
A664 1875	Decal - Bin Caution	3- 25
A664 1875	Decal - Bin Caution	17- 3

Part No.	Description	Page and Index No.
5053 0447	Bushing - 6mm	7- 18
5403 6246	Stepped Screw - Cleaning	5- 1
5403 6246	Stepped Screw - Cleaning	11- 28
5442 1659	Stepped Screw - M4	5- 9
5446 3648	Stepped Screw - M4	7- 19
5447 2681	Snap Ring	3- 20
5447 2681	Snap Ring	5- 28
5447 2681	Snap Ring	7- 16
5447 2681	Snap Ring	9- 33



Part No.	Description	Page and Index No.
0313 0050B	Philips Pan Head Screw - M3x5	9-105
0313 0050B	Philips Pan Head Screw - M3x5	5-108
0313 0140B	Philips Pan Head Screw - M3x14	11-112
0314 0040B	Philips Pan Head Screw - M4x4	5-112
0314 0060B	Philips Pan Head Screw - M4x6	7-105
0314 0060B	Philips Pan Head Screw - M4x6	11-116
0314 0060B	Philips Pan Head Screw - M4x6	5-104
0314 0080B	Philips Pan Head Screw - M4x8	9-111
0314 0200B	Philips Pan Head Screw - M4x20	3-104
0344 0060F	Philips Truss Head Screw - M4x6	11-121
0344 0060F	Philips Truss Head Screw - M4x6	3-103
0450 3008B	Tapping Screw - M3x8	5-101
0450 3008B	Tapping Screw - M3x8	7-104
0451 3006B	Tapping Screw - M3x6	7-101
0451 3006B	Tapping Screw - M3x6	9-102
0451 3006B	Tapping Screw - M3x6	5-103
0451 3006B	Tapping Screw - M3x6	11-101
0451 3006B	Tapping Screw - M3x6	3-102
0452 4012B	Philips Tapping Screw - M4x12	5-105
0574 0040E	Hexagon Headless Set Screw - M4x4	7-102
0574 0050E	Hexagon Headless Set Screw - M4x5	9-110
0708 0040B	Washer - M4	5-107
0720 0040E	Retaining Ring - M4	11-117
0720 0040E	Retaining Ring - M4	9-107
0720 0040E	Retaining Ring - M4	7-103
0720 0040E	Retaining Ring - M4	5-109
0720 0060E	Retaining Ring - M6	9-108
0720 0060E	Retaining Ring - M6	11-114
0741 3006	Ball Bearing - 6x17x6mm	9-101
0802 5255	Tapping Screw - M3x8	3-101
0802 5276	Tapping Screw With Waser - M3x6	11-120
0802 5276	Tapping Screw With Waser - M3x6	3-105
0805 0088	Retaining Ring - M6	9-103
0805 0089	Retaining Ring - M4	9-104
0805 3383	Bushing - M5	9-112

Part No.	Description	Page and Index No.
0950 4006B	Screw - M4X6	5-106
0950 4006B	Screw - M4X6	11-108
0951 3006B	Philips Screw With Flat Washer - M3x6	5-111
0951 4006B	Philips Screw With Washer - M4x6	9-106
0951 4008B	Philips Screw With Washer - M4x8	5-110
1002 0307	Jumper Wire	13-101
1005 0946	Stepping Motor Cushion	9-113
1101 0328	Connector Pin Contact	13-102
1102 4202	Connector - 3P	13-103
1102 4203	CT Header - 4P	13-104
1102 4205	CT Header- 6p	13-105
1102 4206	Connector - 7P	13-106
1102 4207	Connector - 8P	13-107
1102 4208	Connector - 9P	13-108
1102 4211	CT Header - 12P	13-109
1102 4497	Connector - 13P	13-110
1102 4624	CT Connector - 7p	13-111
1102 5301	Connector - 2P	13-112
1102 5304	Connector - 5P	13-113
1102 5718	Optical Fiber Connector	13-114
1104 0333	Fuse Holder	13-115
1104 0588	Dip Socket - 28p	13-116
1105 0008	Nylon Clamp - 2n	5-113
1105 0148	Clamp	11-107
1105 0195	PCB Stud	11-123
1105 0200	Clamp	11-111
1105 0267	Harness Clamp - YMC-10-0	11-118
1105 0291	Harness Clamp - LWS-3S	11-103
1105 0292	Wire Saddle	11-104
1105 0322	Cord Bushing	11-109
1105 0328	Harness Clamp - ES-0505	11-110
1105 0329	Clamp - ES-0510	5-102
1105 0349	Edge Saddle	9-109
1105 0417	Spacer - KGPS-12S	11-106
1105 0475	Spacer - KGPS-10S	11-122

Part No.	Description	Page and Index No.
1106 0193	Bushing - 7.9mm	11-105
1106 0289	Bushing - SR-5N-1	11-119
1106 0459	Bushing - 20.2mm	11-115
1107 0883	Fuse - 3.15A 250V	11-102
1107 0883	Fuse - 3.15A 250V	13-117
1204 2384	Interlock Switch	11-113
1400 0398	Transistor - 2SC2412K	13-118
1400 0748	Transistor - FMG1A	13-119
1401 0821	Diode - 1SS133	13-120
1402 0557	Diode - HZ24PB	13-121
1402 1236	Diode - ERA83-006	13-122
1402 1388	Diode - UDZ8.2B	13-123
1403 0519	Photocoupler - TLP621	13-124
1407 1535	IC - TD62308AP	13-125
1407 2028	IC - TTL - SN74LS06N	13-126
1407 3086	IC - Cmos - TC74HC04AP	13-127
1407 3093	IC - Cmos - TC74HC02AP	13-128
1407 4753	IC - HD6433292L01P	13-129
1408 0494	IC - MB3371P	13-130
1408 1200	IC - STK681-050	13-131
1408 1287	IC - SI-8501L	13-132
1408 1394	IC - STK672-110	13-133
1503 0489	Oscillator - CST8.00MTW	13-134
1604 4645	Capacitor - 330 $\mu$ F $\pm$ 20% 16V	13-135
1611 4101	Resistor - 100 $\Omega$ 1/4T $\pm$ 5%	13-136
1611 6102	Resistor - 1K $\Omega$ 1/2T $\pm$ 5%	13-137
1630 3102	Resistor - 1K $\Omega$ 1/10W $\pm$ 5%	13-138
1630 3103	Resistor - 10K $\Omega$ 1/10W $\pm$ 5%	13-139
1630 3121	Resistor - 120 $\Omega$ $\pm$ 5% 1/10W	13-140
1630 3201	Resistor - 200 $\Omega$ 1/10W $\pm$ 5%	13-141
1630 3202	Resistor - 2K $\Omega$ -1/10W	13-142
1630 3203	Resistor - 20 $\Omega$ $\pm$ 5% 1/10W	13-143
1630 3222	Resistor - 2.2K $\Omega$ 1/10W $\pm$ 5%	13-144
1630 3223	Resistor - 22k $\Omega$ - 1/10W	13-145

Part No.	Description	Page and Index No.
1630 3242	Resistor - 2.4K $\Omega$ $\pm$ 5% 1/10W	13-146
1630 3330	Resistor - 33 $\Omega$ $\pm$ 5% 1/10W	13-147
1630 3332	Resistor - 3.3K $\Omega$ 1/10W $\pm$ 5%	13-148
1630 3361	Resistor - 360 $\Omega$ $\pm$ 5% 1/10W	13-149
1630 3362	Resistor - 3.6K $\Omega$ $\pm$ 5% 1/10W	13-150
1630 3392	Resistor - 3.9k $\Omega$ - 1/10W	13-151
1630 3472	Resistor - 4.7K $\Omega$ 1/10W $\pm$ 5%	13-152
1630 3621	Resistor - 620 $\Omega$ $\pm$ 5% 1/10W	13-153
1630 3822	Resistor - 8.2K $\Omega$ 1/10W $\pm$ 5%	13-154
1632 0000	Resistor - 0 $\Omega$ 1/8W	13-155
1633 0000	Resistor - 0 $\Omega$ 1/10W	13-156
1640 5101	Capacitor - 100 $\mu$ F $\pm$ 20% 50V	13-157
1640 5109	Capacitor - 1 $\mu$ F - $\pm$ 20% - 50V	13-158
1660 4103	Capacitor - 10000pF - $\pm$ 10% - 50V	13-159
1660 7104	Capacitor - 100000pF 50V	13-160
1905 0005	UVEPROM 512k X8 120ns	13-161